

# WAKE UP HAPPY

THERE ARE ONLY SO MANY TOMORROWS



INSPIRATIONAL EDITION 2  
BROUGHT TO YOU BY STABLE, NORWAY

STABLE designs and manufactures stabilized platforms for use on yachts, ships and floating installations. STABLE platforms neutralize the movements of the sea.

# Maximize the comfort on board with high quality platforms and **HUGE BENEFITS**

-One of the best ways to add extra value to your life is to install stabilized platforms where it's needed most. Our custom made platforms can be retrofitted into a yacht, it can be installed as part of a new-build or a refit. It's an easy and quick solution with huge benefits.

**Let STABLE maximize your tomorrows!**

Hope you'll enjoy this "Inspirational book" with a selection of sketches and great ideas. If you can dream it - we'll hopefully can stabilize it.

## **CONTENTS**

HOW WE STABILIZE

DON'T GIVE UP YOUR DREAMS - bed platforms

COMFORT & FUN - game, work- and comfort zones

LET'S PLAY BILLIARD! - billiard/pool platforms

SOLID WORK - comfortable working tables

WINE & DINE - wine cellars, wine cabinet, dining table and dining zone

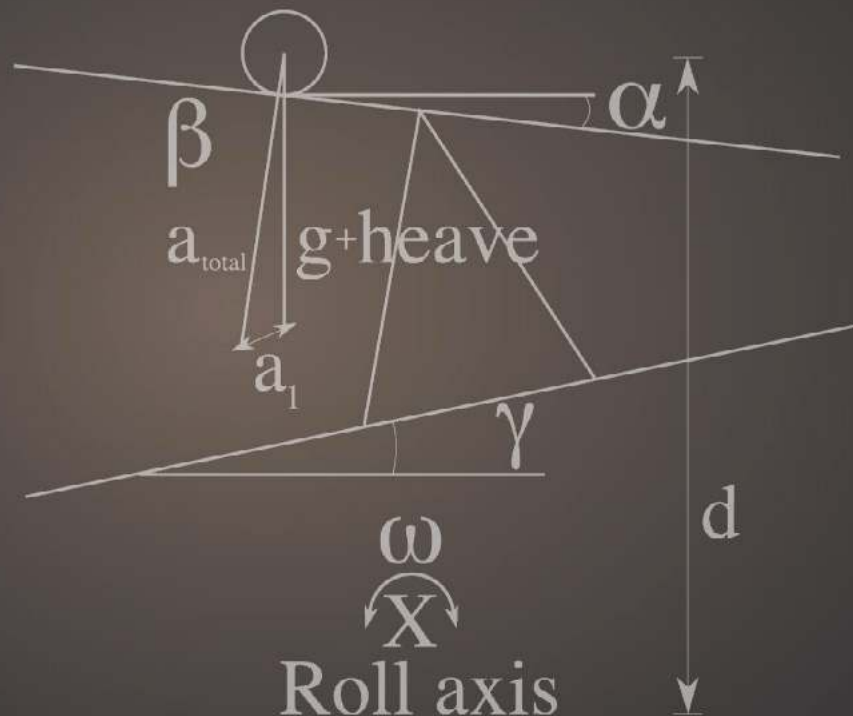
SPORT & SPA - workout when it suits you

SUN - daybed, sunbed and outdoor comfort zone



*Sverre Høivik*  
CEO & INVENTOR  
STABLE

# HOW WE STABILIZE

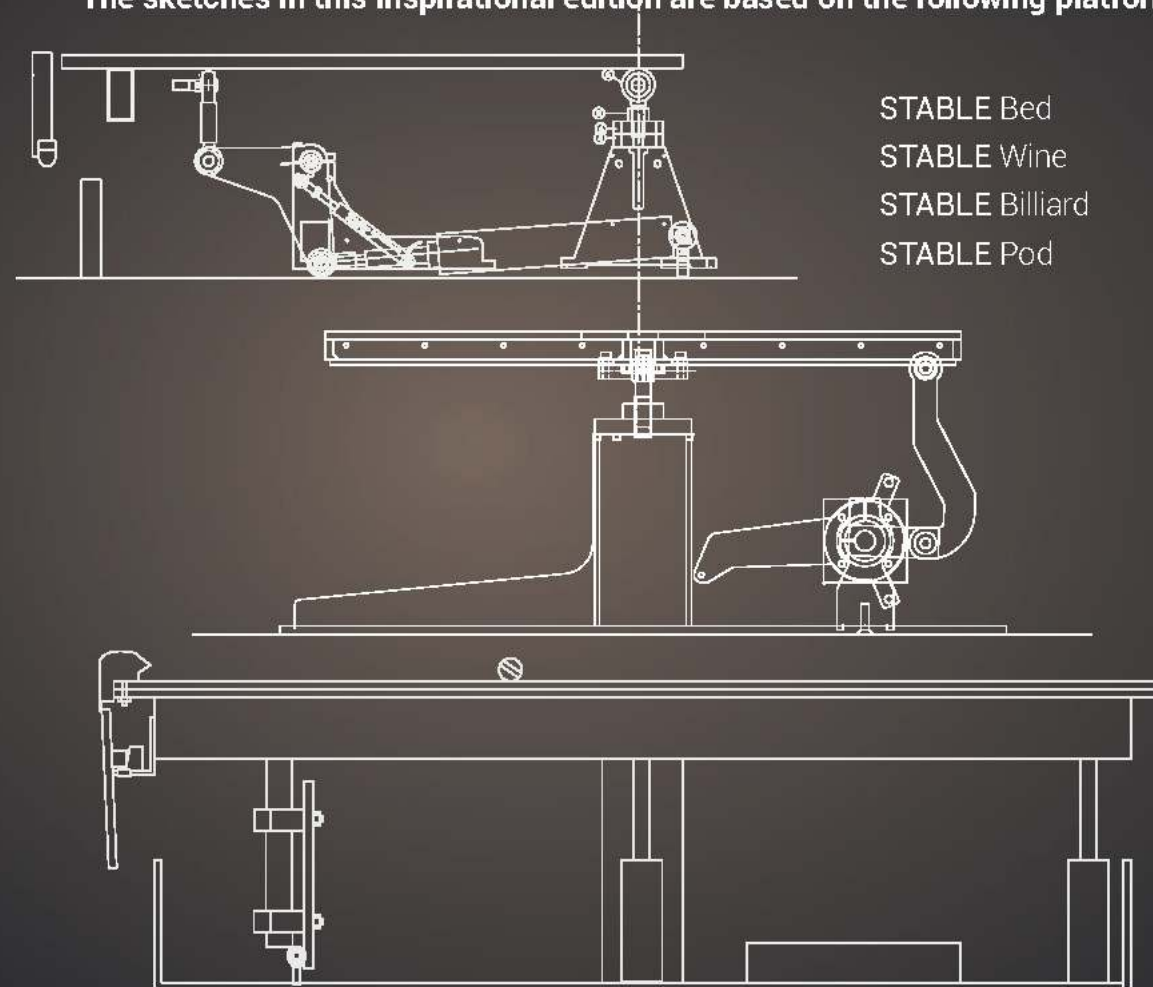


The platforms eliminate accelerations due to roll and pitch movements of the ship.

To achieve this, the movements are estimated based on sensor signals and the platform is automatically adjusted by computer controlled actuators.

# THE BASE

The sketches in this inspirational edition are based on the following platforms:



- STABLE Bed
- STABLE Wine
- STABLE Billiard
- STABLE Pod

STABLE PLATFORMS CAN ALSO BE USED FOR FINE ART, SCREEN, CRIB, CAMERA, ANTENNA, OPERATING THEATER, COMFORT ZONE, BOWLING ALLEY, DINING TABLE, FLOORS, WORK & GAMING TABLE, RETREAT ZONE, EXERCISE ZONE, CONTAINERS AND TRANSPORT.

“ IF THE PURPOSE OF HAVING A YACHT IS TO LIVE  
AND ENJOY LIFE TO THE FULLEST, GETTING ENOUGH  
QUALITY SLEEP IS ABSOLUTELY CRUCIAL

# DON'T GIVE UP YOUR DREAMS

STABLE bed platforms are easy to integrate and use.  
Provide comfortable sleep. Cure seasickness in minutes.



The bed platforms can compensate for movements up to +/- 20 degrees.

# FUN

STABLE can deliver several variations of sensor programmed stabilized pods.

Be together but alone.

It's time for total focus.

# THE POD

Our newest invention, the STABLE pod, can be used for gaming, to relax, sleep, as a private workspace or to cure seasickness.

The STABLE pod gives the user and those around time and space. Finally!



“This mind bending game of pool has thrown our scientists off balance. You can carry on the game on even the roughest of the sea!

Discovery Channel, 2017

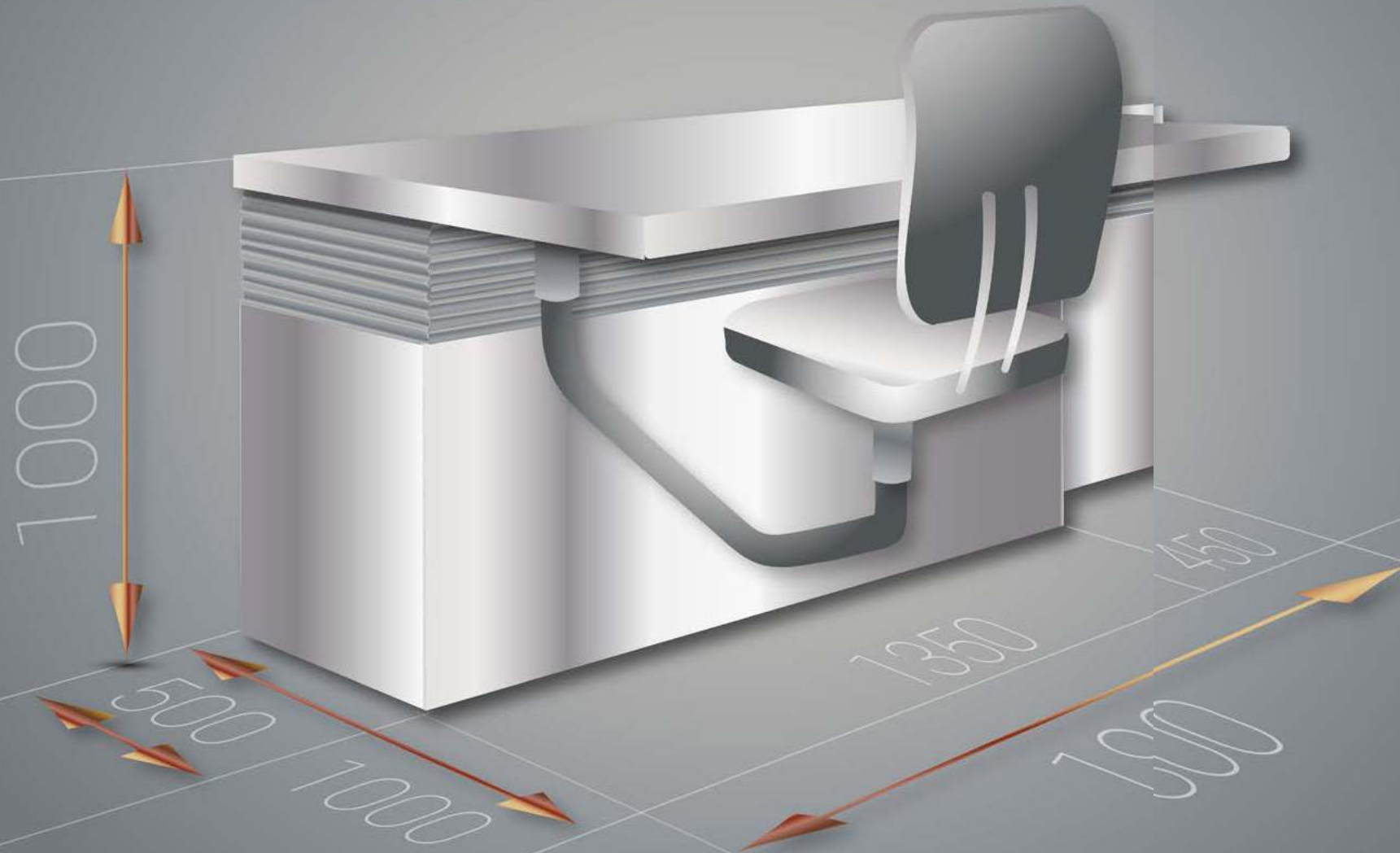
# BILLIARD

**THE STABLE TECHNOLOGY IS SO ACCURATE THAT YOU CAN PLAY BILLIARDS WHEN THE WAVES ARE ROCKING.**

The movements of the yacht or ship are estimated based on sensor signals and the platform is automatically adjusted by computer controlled actuators.

The STABLE billiard platforms are our best seller since 2002. They are easy to install and need a minimum of maintenance. Running 24/7. One of STABLE's most demanding applications. Ready for a game?





# SOLID WORK

---

The work & play platform with integrated adjustable chair can compensate for movements up to +/- 20 degrees.

This means that you can enjoy working, gaming/playing, or even use the table as a serving table or a buffet. Just to make a perfect daily life on board.

The table design as seen is just an idea. If open gaps are covered with a bellow and the construction are realized in stainless steel; the work and play table can be used in countless variations and meet high quality demands at the same time.

**STABLE**  
ALWAYS IN LEVEL

Our greatest  
**strenght**  
lies in never giving up.  
The most certain way to  
**succeed**  
is always to try just  
**one more time.**







# WINE & DINE

---

The wine & dine platforms come in different designs and custom made sizes and can compensate for up to 20 degrees.



STABLE cooperates with a French high end wine cellar designer and producer. We combine our advanced technology platforms with their outstanding high quality craftsmanship. Together we build the best and most appropriate wine cellars and cabinets.

# 100 % PERFECT

---

STABLE can deliver several variations of sensor programmed sunbed and daybed platforms to adjust for maximum or minimum directly sunlight at the same time as you'll be levelled.  
- What can be more perfect than that?

All our platforms cure seasickness in minutes. It has never been easier to feel comfortable.  
- After all; there are only so many tomorrows.



“WHAT A GREAT IDEA TO INSTALL  
THE STABILIZED WORKOUT  
PLATFORM ON BOARD.  
NOW I DON'T HAVE TO WAIT FOR  
CALM WATER - ONLY WAIT FOR MY  
OWN DECISION. PERFECT!



**STAY STRONG**

---

# WORKOUT

It is impossible to run on a treadmill when the waves are rocking. Use STABLE platforms with easy clean and anti-slip cover and integrate a healthier life. Look forward to a walk on your treadmill, spin or running machine. Any day in any weather.

Workout on board. When it suits you.



# EXTREME QUALITY

---

The platforms run 24/7. They are easy to use and need a minimum of maintenance. STABLE was established in 2002.

Our global customers appreciate our long experience, extreme product quality and 24 hour support service.

STABLE has proven its value through one of the most demanding applications in terms of responsiveness and accuracy. The STABLE Billiard has been installed on a number of cruise ships and luxury yachts.

Thousands of cruise passengers have had the pleasure to enjoy a steady game of pool, even in rough sea. The platform technology was originally developed for use in active heavy compensated cranes for the offshore industry.

## **MADE IN NORWAY**

The platforms are designed and produced in Norway to meet STABLE's high requirements for close production overview and day-to-day control.

## **PRODUCTION TIME: 8 -12 WEEKS**

From the day you place your order and until the platform is ready for shipment to your choice of port, takes normally 8 -12 weeks.

## **100% CUSTOMIZED**

All platforms are made accordingly to our customers description.

## **REQUIREMENTS**

Normal power supply, 220 V, 16 amps.

## **SUPERVISED INSTALLATION**

All platforms will be proven and tested before shipment from our factory (Factory Acceptance Test). The STABLE Engineer Team will supervise the installation and commissioning of the platform on board.



# STABLE

ALWAYS IN LEVEL

**STABLE A/S**  
Nedre Tyholmsvei 3  
N-4836 Arendal  
Norway

**+47 907 47 153**  
post@stable.no  
www.stable.no



FIND MORE INSPIRATION AT  
**www.stable.no**